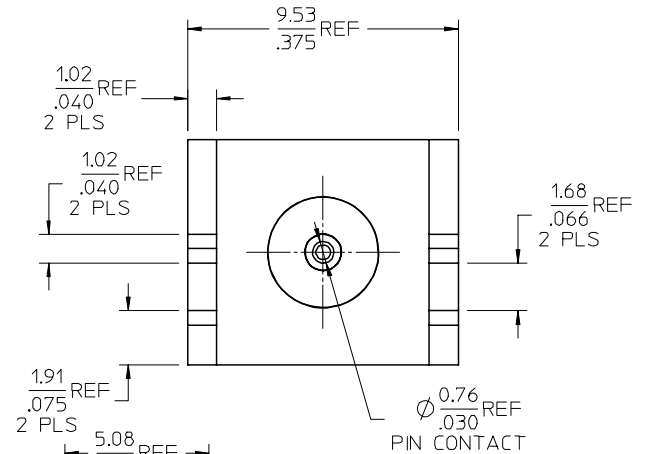
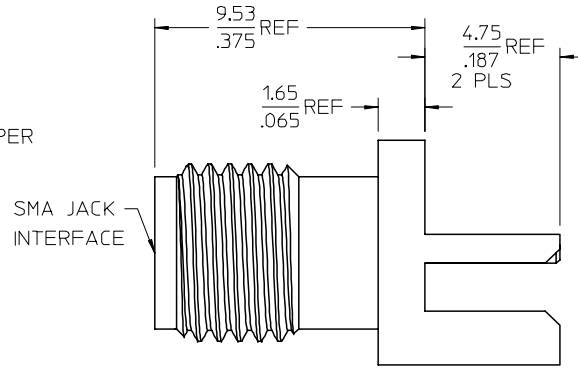


MATERIALS AND FINISHES

BODY BRASS
PLATED GOLD

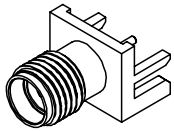
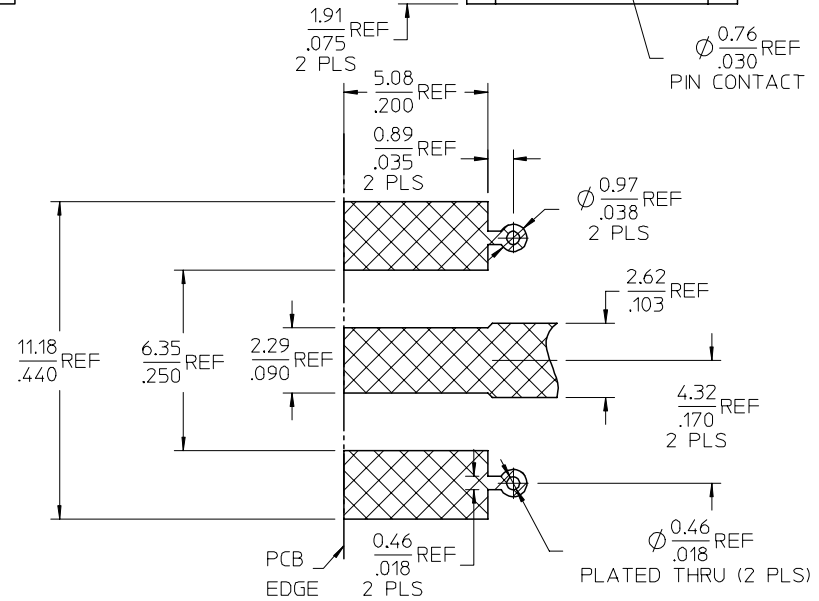
CENTER CONTACT BERYLLIUM COPPER
PLATED GOLD

INSULATOR TEFLON



RECOMMENDED MOUNTING PAD

BASE WIDTH: 9.53(.375)
BOARD THICKNESS: 1.57(.062)
BOARD MATERIAL: FR4 W/28 g(1.0 OZ) COPPER
ON BOTTOM (GROUND) SIDE



PS-89675-2820	ELEC/MECH PERFORMANCE
MIL-STD-348A, FIG. 310.2	INTERFACE
SPECIFICATION	DESCRIPTION

73251-1152	TRAY (20 PIECES)
73251-1151	P/N 73251-1150 ONE PER BAG
73251-1150	TRAY (80 PIECES)
PART NO.	PACKAGING

CHG: TABULATED
73251-1150
PACKAGING FOR -1152
WAS 73251-1150
BY TRAY (20 CAVY)
EC NO: URF2008-0012
2007/07/09
DRWN:SSHAH
CHKD:IFLAHERY
APPR:JMLENER
2007/07/09
2007/07/09
DESCRIPTION
REV: A3

QUALITY SYMBOLS	GENERAL TOLERANCES (UNLESS SPECIFIED)	DIMENSION STYLE	SCALE	DESIGN UNITS	THIRD ANGLE PROJECTION
▽=0 ▽=0	mm INCH	MM/IN	DATE	METRIC	
	4 PLACES ± --- ± ---	DRAWN BY	DATE		
	3 PLACES ± --- ± ---	TEF	2002/06/27		
	2 PLACES ± --- ± ---	CHECKED BY	DATE		
	1 PLACE ± --- ± ---	SSS	2002/06/27		
	ANGULAR ± 2 °	APPROVED BY	DATE		
		GMH	2002/06/27		
	DRAFT WHERE APPLICABLE MUST REMAIN WITHIN DIMENSIONS	MATERIAL NO.	DOCUMENT NO.		
		SEE TABLE	SD-73251-115		
		SIZE C			

SMA JACK, EDGE MOUNT
50 OHMS, EWR-1764
SMA-J/PCB
MOLEX INCORPORATED
SHEET NO. 1 OF 1